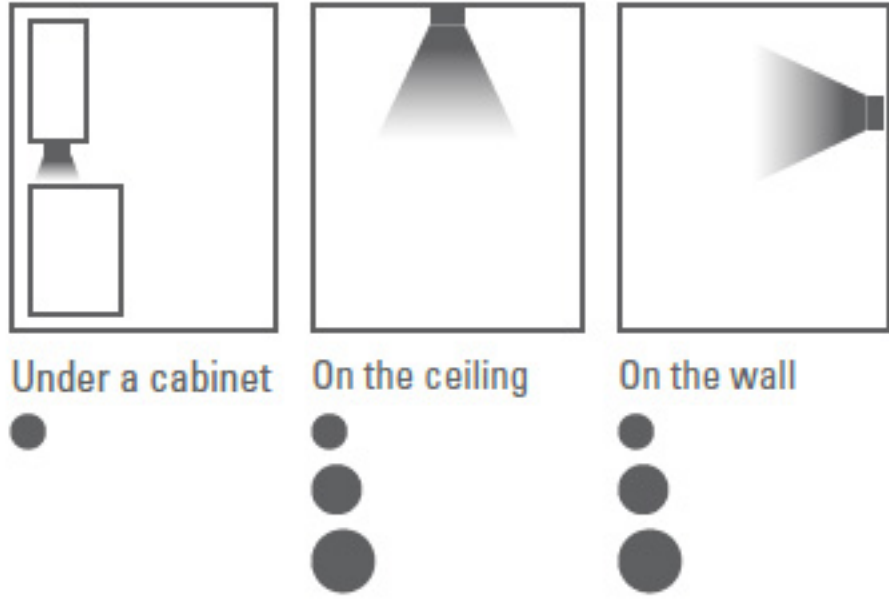


Circle series

Application

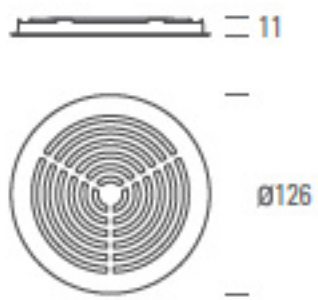


Features

- Slim design

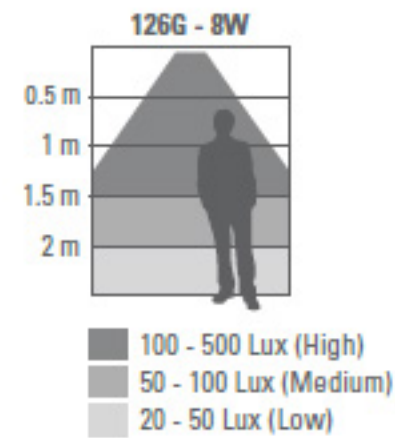
Circle I

Dimensions

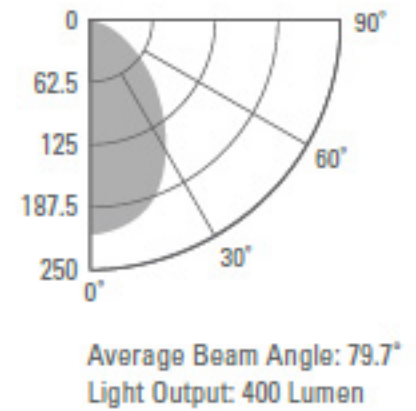


Luminosity

Lamps	Voltage	Frequency	Current	Power	Flux
LED-126G	220-240V	50-60Hz	80mA	8W	400LM

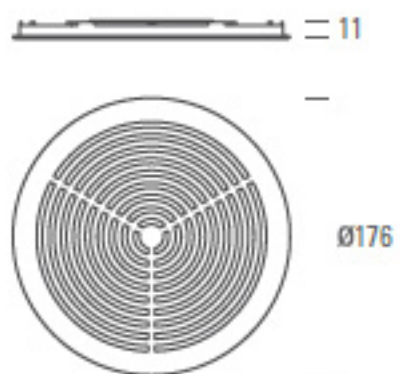


Indoor Distribution Curve



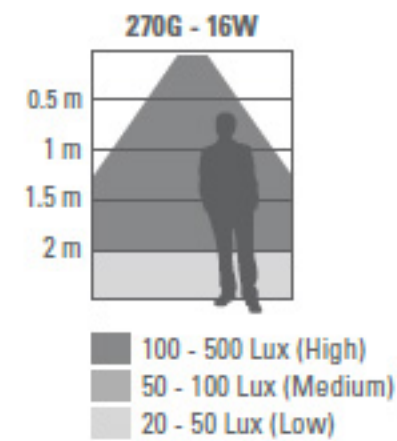
Circle II

Dimensions

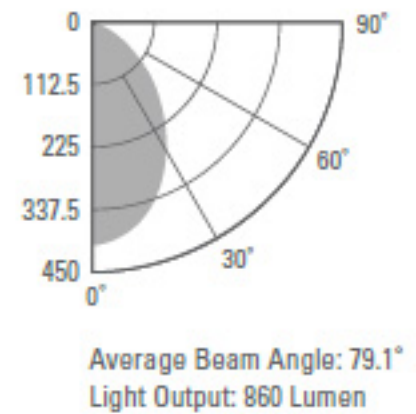


Luminosity

Lamps	Voltage	Frequency	Current	Power	Flux
LED-270G	220-240V	50-60Hz	140mA	16W	860LM

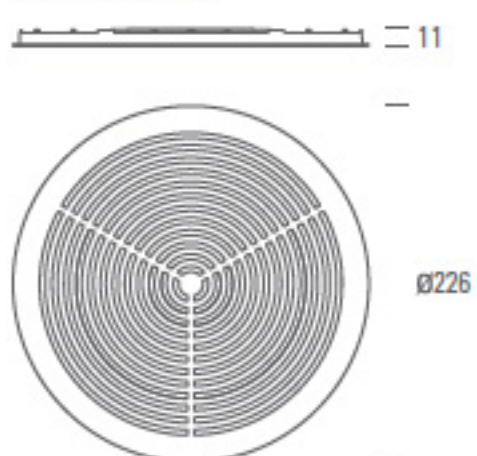


Indoor Distribution Curve



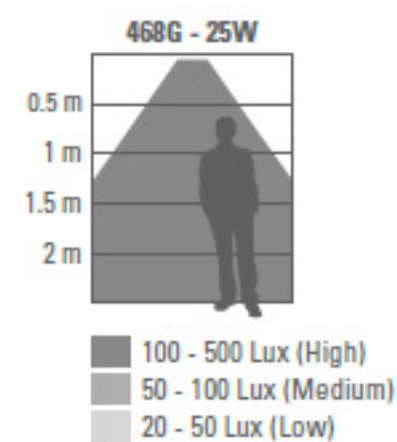
Circle III

Dimensions



Luminosity

Lamps	Voltage	Frequency	Current	Power	Flux
LED-468G	220-240V	50-60Hz	220mA	25W	1500LM



Indoor Distribution Curve

